

Datasheet

# Sunbeam Hand Dryer's



The Sunbeam Range of Hand Dryer's are a great solution and finish for your bathroom. These hand dryers are all high speed automatic models supplied in satin chrome. The new energy efficient high speed motor allows for a quicker drying time to help reduce energy usage. The sleek design of both models means which ever unit you choose will look well while also being functional

### Sunbeam 1000W High Powered Hand Dryer Satin Chrome

#### Description:

Reference	HDR77SC
Finish	Matt Stainless Steel
Warranty	2 Year
Activation	Automatic Sensor

#### Electrical Specification:

Voltage	220/240V
Frequency	50/60Hz
Motor Type	Brush Motor
RPM of Motor	32,000 RPM
Power Output	1000W
Motor Power	600W
Air Temperature	40°C
Amps	5.5A
Sensor	5 – 15cm
Drying Time	10 – 12 Seconds
Airspeed	100m/s
Airflow	130M <sup>3</sup> /H
Filter	Included Inside
Noise Level	74dB at 1 Meter



Energy Efficient

High Performance

Quiet

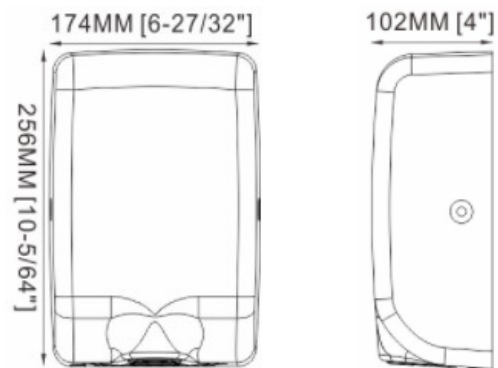
Cost Saving

#### Safety Aspects:

IP Rating	IP23
Electric Isolation	Class 1
Approval	CE Standard
Time Protection	60 Seconds
Heating Temperature	< 105°
Motor Temperature	< 48°
Air Temperature	40°

#### Dimensions:

Width	174mm
Depth	102mm
Height	256mm
Weight	2.5KG



Automatic hands ON/OFF by infrared sensor



32,000RPM Brush motor  
100 Meter/seconds airflow  
10- 12 Seconds drying time



Coarse particulate filter at air inlet



Forced Hold-On 60 seconds auto shut-off



Optional Bacterial free UVC LED lamp



Externally visible service blue LED guides hands to air flow



Easy maintenance  
Easy wall surface mounted  
Anti-theft lockable



Cover right grounding



Optional ON/OFF heat element switch



4" [102 MM] depth ADA-compliant



Dual protection heater by Thermostat & Thermal Cutoff



4" [102 MM] depth Behind mirror hand dryer



Fireproof key plastic parts & stainless steel cover



Convenient plug in feature  
Optional hardwire installation



MEETING YOUR ELECTRICAL NEEDS FOR GENERATIONS

# Sunbeam Hand Dryer Range Specification

## Sunbeam 1800W High Powered Hand Dryer

### Satin Chrome

Energy Efficient

High Performance

Quiet

Cost Saving

#### Description:

Reference	HDR99SC/HDR99BK/HDR99WH
Finish	Matt Stainless Steel Black White
Warranty	2 Year
Activation	Automatic Sensor

#### Electrical Specification:

Voltage	220/240V
Frequency	50/60Hz
Motor Type	Brush Motor
RPM of Motor	22,000 RPM
Power Output	1800W
Motor Power	550W
Air Temperature	40°C
Amps	7.8A
Sensor	5 – 15cm
Drying Time	8 – 10 Seconds
Airspeed	100m/s
Airflow	140M <sup>3</sup> /H
Filter	Included Inside
Noise Level	74dB at 1 Meter

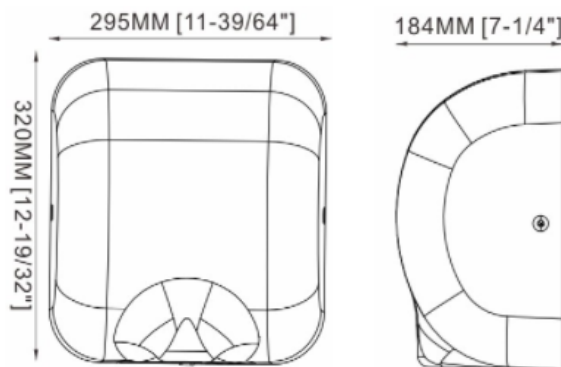


#### Safety Aspects:

IP Rating	IP23
Electronic Isolation	Class 1
Approval	CE Standard
Time Protection	60 Seconds
Heating Temperature	< 105°
Motor Temperature	< 50°
Air Temperature	45°

#### Dimensions:

Width	29mm
Depth	184mm
Height	320mm
Weight	4.6KG



Automatic hands ON/OFF by infrared sensor



22,000RPM Brush motor 8 - 10 Seconds drying time



Optional HEPA & coarse particulate filter at air inlet



Forced Hold-On 60 seconds auto shut-off



Optional Speed & sound control



Externally visible service blue LED guides hands to air flow



Easy maintenance Easy wall surface mounted Anti-theft lockable



Metal Cover right grounding [earthing]



Optional ON/OFF heat element switch



Silentblock in the base to cushion



Dual protection heater by Thermostat & Thermal Cutoff



Optional intelligent heater off if ambient temperature is



Fireproof key plastic parts & stainless steel cover



Convenient plug in feature Optional hardwire installation





MEETING YOUR ELECTRICAL NEEDS FOR GENERATIONS

# Sunbeam Hand Dryer Range Specification Sheet

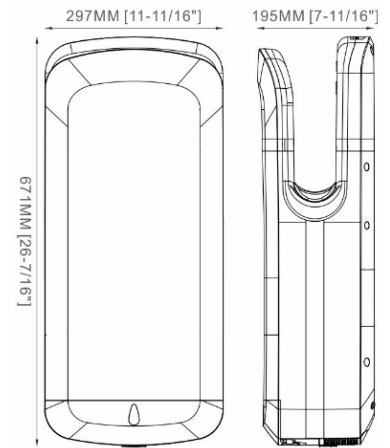
## Sunbeam 1650W High Powered Blade Hand Dryer Satin Chrome

### Description:

Reference	HDR-BLADE
Finish	Matt Stainless Steel
Warranty	2 Year
Activation	Automatic Sensor

### Electrical Specification:

Voltage	220/240V
Frequency	50/60Hz
Motor Type	Brush Motor
RPM of Motor	30,000 RPM
Power Output	1650W
Motor Power	1250W
Air Temperature	40°C
Amps	7A
Drying Time	7 – 9 Seconds
Airspeed	150m/s
Airflow	120M <sup>3</sup> /H
Filter	HEPA & Coarse Particle Filter
Noise Level	70dB at 1 Meter

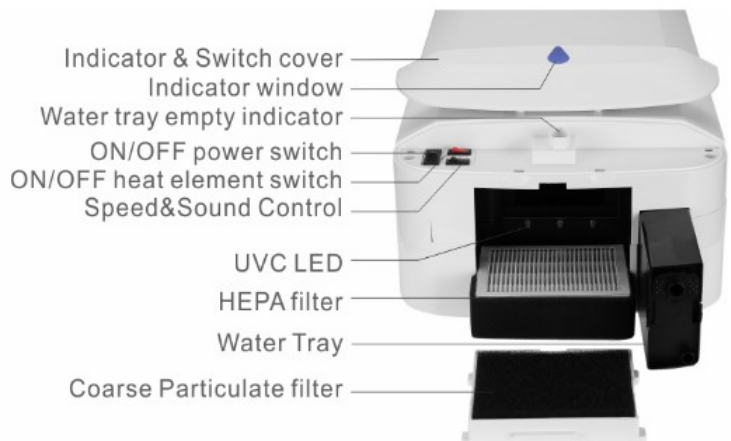


### Safety Aspects:

IP Rating	IP23
Electric Isolation	Class II
Approval	CE Standard
Time Protection	60 Seconds
Heating Temperature	< 105°
Motor Temperature	< 48°
Air Temperature	40°

### Dimensions:

Width	297mm
Depth	195mm
Height	671mm
Weight	8.8KG



Automatic hands ON/OFF by infrared sensor



30,000RPM Brush motor  
7 - 9 Seconds drying time



HEPA & coarse particulate filter at air inlet



Bacterial free UVC LED lamp after HEPA filter



Speed & sound control



Externally visible service blue LED guides hands to air flow



Sight indicator shows water tank empty required



ON/OFF hand dryer power switch



Optional ON/OFF heat element switch



Water tank bottom has overflow pipe connector



Dual protection heater by Thermostat & Thermal Cutoff



Optional intelligent heater off if ambient temperature is more than 25°C [77°F]



Friendly drying indicator 25 Seconds auto shut off



Convenient plug in feature Optional hardwire installation

