

Datasheet

MEGFLEX Range - Flexible spiral conduit & glands to suit



The MEGFLEX PVC coated galvanised steel conduit is a cost efficient and effective way to protect cables. Designed to meet all the relevant standards and with easy to use glands to suit, it is a quick safe way to finish the job

MEGFLEX

Flexible Spiral Conduit

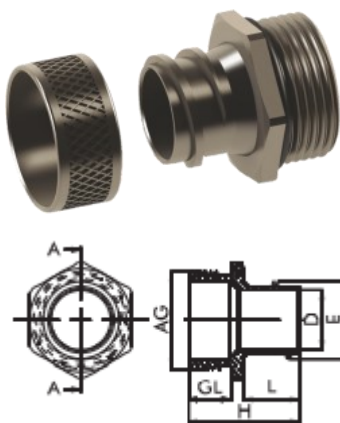
PVC Coated Metal



- Galvanised Steel
- Coated with PVC
- RoHS, CE, PT, TUV, TSE
- Black (RAL9005)
- Other colours available on request
- IP65
- -15°C to + 90°C

- High fatigue life
- High impact strength
- Self-extinguishing
- High UV resistance
- Full shrink packing

Code	Size	Inner Diameter	Outer Diameter	Roll Length
MEGFLEX20	1/2"	16mm	20mm	50M
MEGFLEX25	3/4"	21mm	25mm	50M



MEGFLEX

Glands

- Brass with nickel plated ring and body
- NBR O-ring
- IP54
- -30°C to +100°C
- Easy to assemble

Code	AG Thread	H - mm	GL - mm	L - mm	D - mm	Wrench	E - mm
MEGGND20	M20 x 1.5	26	10	13	14	22	16x20
MEGGND25	M25 x 1.5	27	10	13	18	28	21x25