

Datasheet

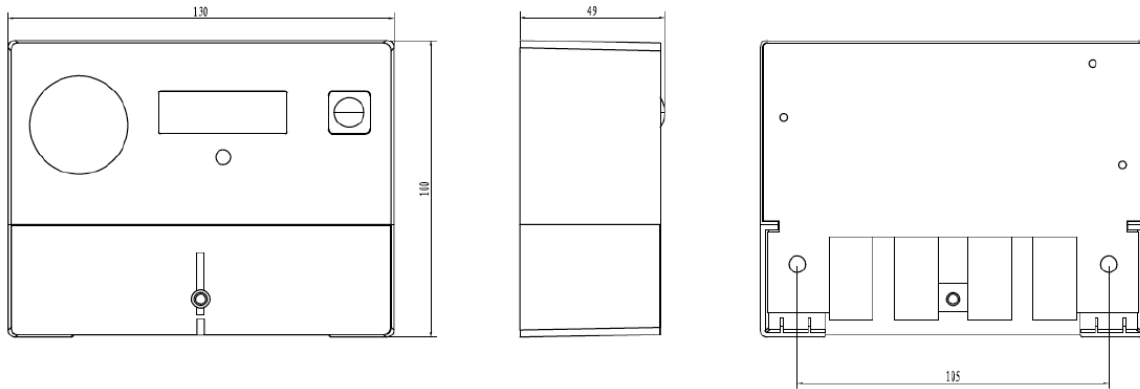
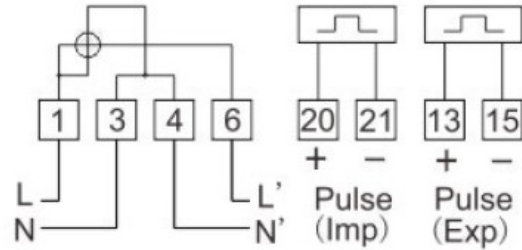
CESCO Surface Meters



The CESCO range of Surface meters are a comprehensive range designed to meet every-day needs. All meters are MID approved and comply with all standards, meaning they can be used to charge tenants or users if required. These meters fit neatly onto any surface and are available in single or 3 phase.

CESCO Single Phase Surface Meter

- PJ-CES100LCD
- Measures energy in both directions
- Tamper proof
- 100 X 130 X 49mm
- Weight approx. 0.6KG
- Polycarbonate Case—Bakelite Terminals



Specification:

- 230V
- 50/60Hz
- IP54
- Basic Current 10A
- Max Current 100A
- Operating Temperature -10°C to +60°C

Insulation Strength:

- AC Voltage Test 4kV, 1min
- Impulse Voltage Test 6kV, 1min

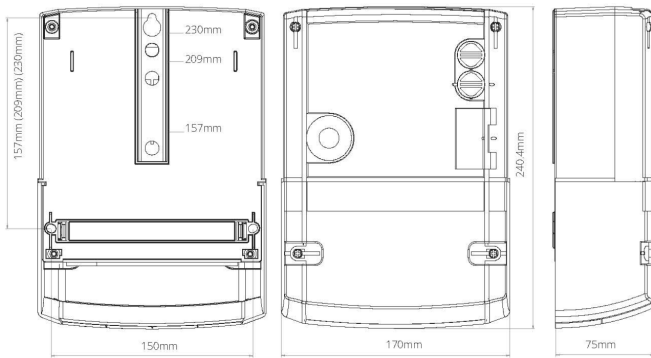
EMC:

- Electrostatic Contact Discharge—8kV
- Electrostatic Air Discharge—15kV
- Surge Immunity Test—4kV
- Fast Transient Burst Test—4kV



CESCO 3 Phase Surface Meter

- PJ-CES3D-100A
- Optical Communication
- Multiple Tariffs
- 240.4 X 170 X 75mm
- Weight approx. 1.5KG
- Polycarbonate Case—Bakelite Terminals
- Wiring - AABBCNN

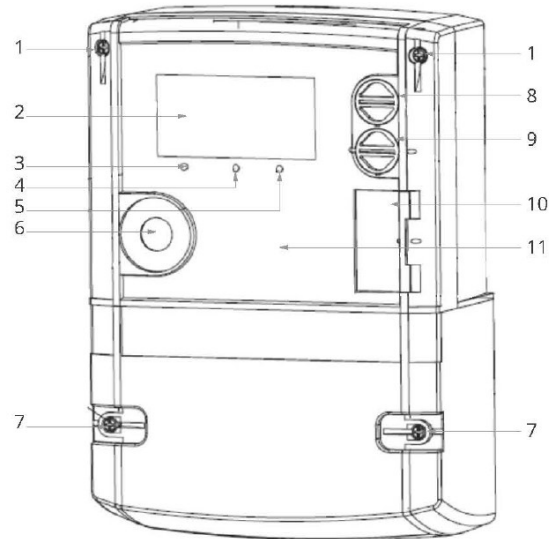


Display

- 3 LED indicators for active Pulse, Alarm and credit status
- 13cm display
- Configurable display contents
- 8 digit display
- Back light for low lighting conditions
- 3 display modes available
 - Scrolling display
 - Manual display
 - Power off display

Tamper-proof

- Meter/terminal cover open
- Magnetic influence
- Reversed phase sequence
- Power off
- Current unbalance
- Voltage unbalance
- Energy reverse of each phase



1. Meter cover screw
2. Window for LCD display
3. Active energy (imp/kWh)
4. Alarm Indicator
5. Reactive energy (imp/kvarh) pulse LED
6. Optical communication port for local data reading & parameter setting
7. Terminal cover screw (sealed)
8. Display button
9. Programming button
10. Battery (sealed)
11. Meer parameters & specification

Event Log

Record last 100 of the following:

- RTC Change
- Low Battery
- Clear Event Record
- Tampering Event

