

Zhejiang Yongtallong Electronic Co.,Ltd.

No.320. Tongsheng Road
Tongxiang ,Jiaxing City,
Zhejiang Province ,P.R.China
314500

www.ytl-e.com

Data Sheet

DDS353-Series DIN Rail Power Meter (MID Certified)

DDS353 Basic version with import+export measurement

DDS353F :Import energy measurement only

DDS353F+R: Bi-directional measurement with total energy equal to import+export

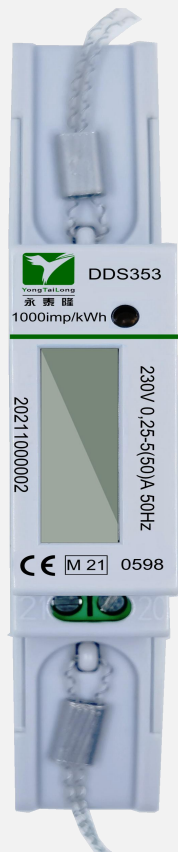
DDS353F-R: Bi-directional measurement with total energy equal to import-export

DDS353AI :With import+export measurement ,meanwhile support Instantaneous parameter measurement

DDS353FI :Wish import only measurement ,meanwhile support Instantaneous parameter measurement

*DDS353F+R+I:Bi-directional measurement with total energy equal to import+export,
meanwhile support Instantaneous parameter measurement*

*DDS353F-R-I:Bi-directional measurement with total energy equal to import-export
meanwhile support Instantaneous parameter measurement*



More options to meet different various requirement !

DDS353 Series Single Phase Power Meter

The DDS353 Series Digital Power Meter works directly connected to a maximum load 50A AC circuit

This meter has been MID B&D Certified by SGS UK, proving both it's accuracy and quality. This certification allows this model to be used for any sub-billing applications.

MID

Zhejiang Yongtailong Electronic Co.Ltd.
DDS353 Series Single Phase Din Rail kWh Meter

www.ytl-e.com

1. Specifications

Technical Parameters

Content	Parameters
Standard:	EN50470-1/3
Rated Voltage:	230V
Rated Current:	0,25-5(30)A,0,25-5(32)A,0,25-5(40)A, 0,25-5(45)A,0,25-5(50)A
Impulse Constant:	1000 imp/kWh
Frequency:	50Hz/60Hz
Accuracy Class:	B
LCD Display:	LCD 5+2 = 99999.99kWh
Working Temperature:	-25~55℃
Storage Temperature:	-30~70℃
Power Consumption:	<10VA <1W
Average Humidity:	≤75% (Non Condensing)
Maximum Humidity:	≤95%
Start Current:	0.004Ib
LED flash:	Impulse indication, pulse width = 80 ms
Software Version/CRC	V101 /CB15

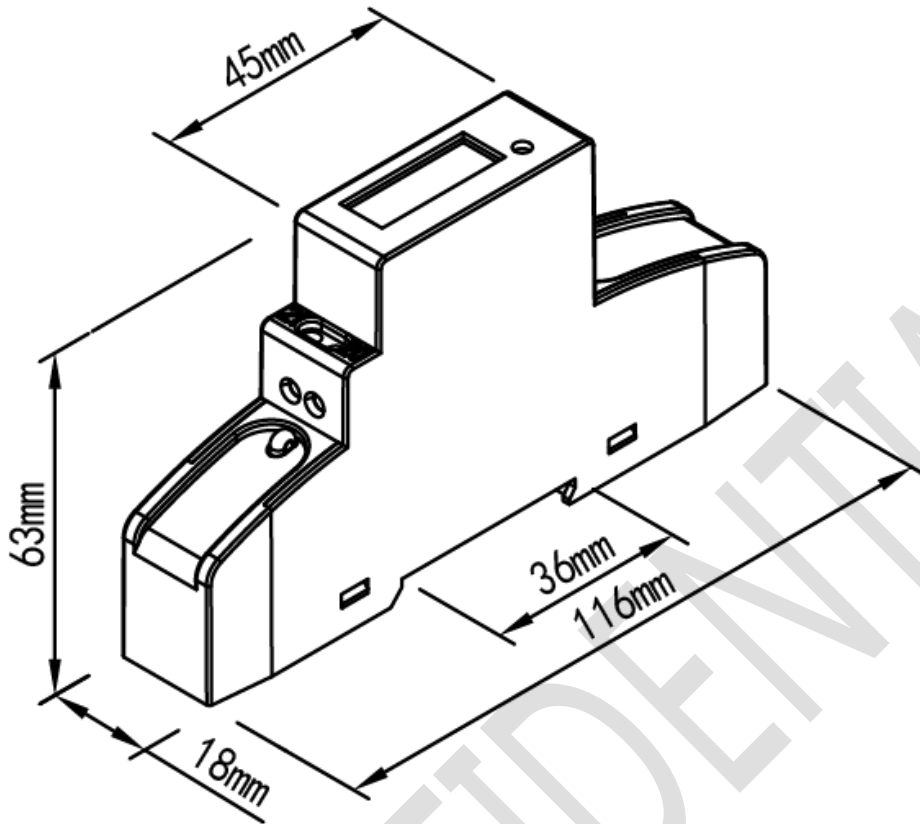
2. Measurements

Various types for your choose more flexible

Meter Type	Measurement and LCD display
DDS353	kWh Total = Import Energy + Export
DDS353AF	kWh Total=Import energy only

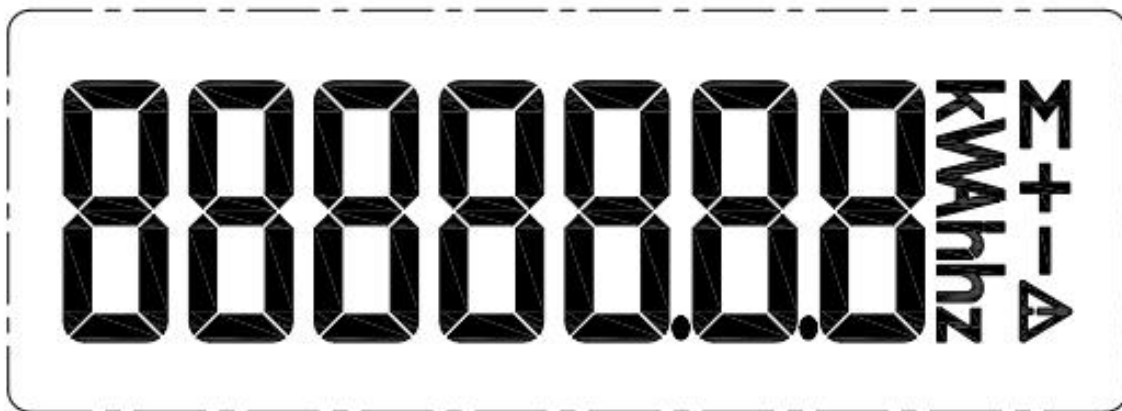
Meter Type	Measurement and LCD display
DDS353F+R	1 = kWh Total (Import Energy + Export Energy) 2 = kWh (Import energy) 3 = kWh (Export energy)
DDS353F-R	1 = kWh Total (Import Energy - Export Energy) 2 = kWh (Import Energy) 3 = kWh (Export Energy)
DDS353AI	1 = kWh Total (Import Energy + Export Energy) 2 = V (Voltage) 3 = A (Ampere) 4 = W (Active power) 5 = Hz (Frequency) 6 = PF (Power Factor)
DDS353FI	1=kWh Total (Import energy only) 2= V (Voltage) 3= A (Ampere) 4= W (Active power) 5= Hz (Frequency) 6 = PF (Power Factor)
DDS353F+R+I	1 = kWh kWh Total (Import Energy + Export Energy) 2 = kWh (Import energy) 3 = kWh (Export energy) 4 = V (Voltage) 5 = A (Ampere) 6 = W (Active power) 7 = Hz (Frequency) 8 = PF (Power Factor)
DDS353F-R-I	1 = kWh total (Import Energy - Export Energy) 2 = kWh (Import Energy) 3 = kWh (Export Energy) 4 = V (Voltage) 5 = A (Ampere) 6 = W (Active power) 7 = Hz (Frequency) 8 = PF (Power Factor)

3. Meter Dimensions

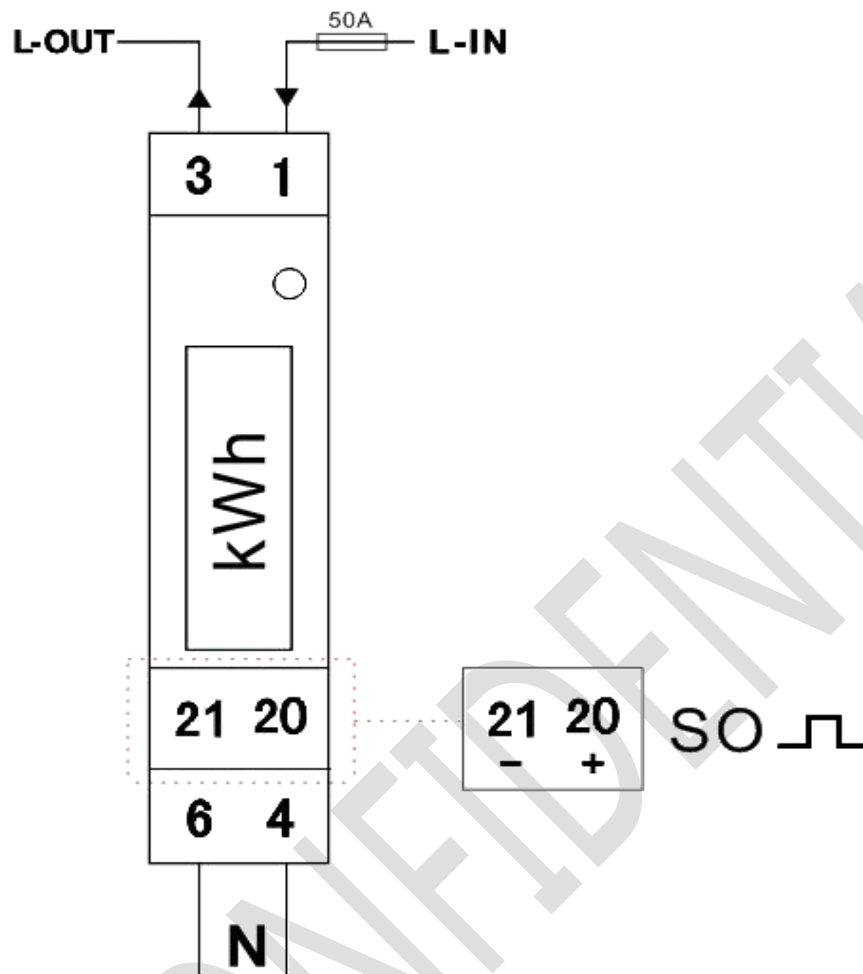


4. LCD Display layout

Different values with different indicators



5. Diagram for installation



6. Safety Instructions

- Case is sealed, do not open the meter. No warranty if case is opened.
- The meter should be installed indoor or in the outdoor electric meter box.
- The meter is intended to be installed in a Mechanical Environment 'M1', with Shock and Vibrations of low significance, as per 2014/32/EU Directive.
- The meter is intended to be installed in Electromagnetic Environment 'E2', as per 2014/32/EU Directive.

Information for Your Own Safety

This manual does not contain all of the safety measures for operation of this equipment (module, device) because special operating conditions, local code requirements or local regulations may necessitate further measures. However, it does contain information which must be adhered to for your own personal safety and to avoid damage to the equipment. This information is highlighted by a warning triangle with an exclamation mark or a lightning bolt depending on the severity of the warning.



Warning

Means that failure to observe the instruction can result in death, serious injury or considerable material damage.



Caution

Means hazard of electric shock and failure to take the necessary safety precautions will result in death, serious injury or considerable material damage.

Qualified personnel

Installation and operation of this equipment described in this manual may only be performed by qualified personal.

Only people that are authorized to install, connect and use this equipment and have the proper knowledge about labeling and grounding electrical equipment and circuits and can do so according to safety and regulatory standards are considered qualified personnel in the manual.

Use for the intend purpose

The equipment (device, module) may only be used for the application cases specified in the catalog and the user manual and only in connection with devices and components recommended and approved by YTL.

Exclusion of liability

We have checked the contents of this publication and every effort has been made to ensure that the descriptions are as accurate as possible. However, deviations from the description cannot be completely ruled out, so that no liability can be accepted for any errors or omissions in the

information given. The data in this manual is checked regularly and the necessary corrections will be included in subsequent editions. If you have any suggestions, pls let us know

Subject to technical modifications without notice.

Copyright

Copyright Zhejiang Yongtailong Electronic Co., Ltd. April 2013 All rights Reserved.

It is prohibited to pass on or copy this document or to use or disclose its contents without our express permission. Any duplication is a violation of the law and subject to criminal and civil penalties. All rights reserved, particularly for pending or approved patents award or registered trademarks.

General Warning

After removing the packaging make sure the integrity of the unit. If in doubt don't use the equipment and contact technical staff.

Mounting of electric appliances must be carried out only by skilled electricians. It is imperative to observe the generally applicable safety measures.

In case of failure and /or malfunctioning of the device, turn off it. For any repair only contact technical staff. Failure to comply with the above may compromise the device safety.

Warranty

The manufacturer will repair or exchange the products while the lead seal is still exited, within 18 months, when discovering the products not accordance with the technical specification.

7. Technical support

For any problems of our products please contact:

Zhejiang Yongtailong Electronic Co.,Ltd
No. 320 Tongsheng road, Tongxiang Zhejiang, China
Post:314500
Tel: 0573-88105559
Fax: 0573-8810042
Web: www.ytl-e.com

