

Datasheet

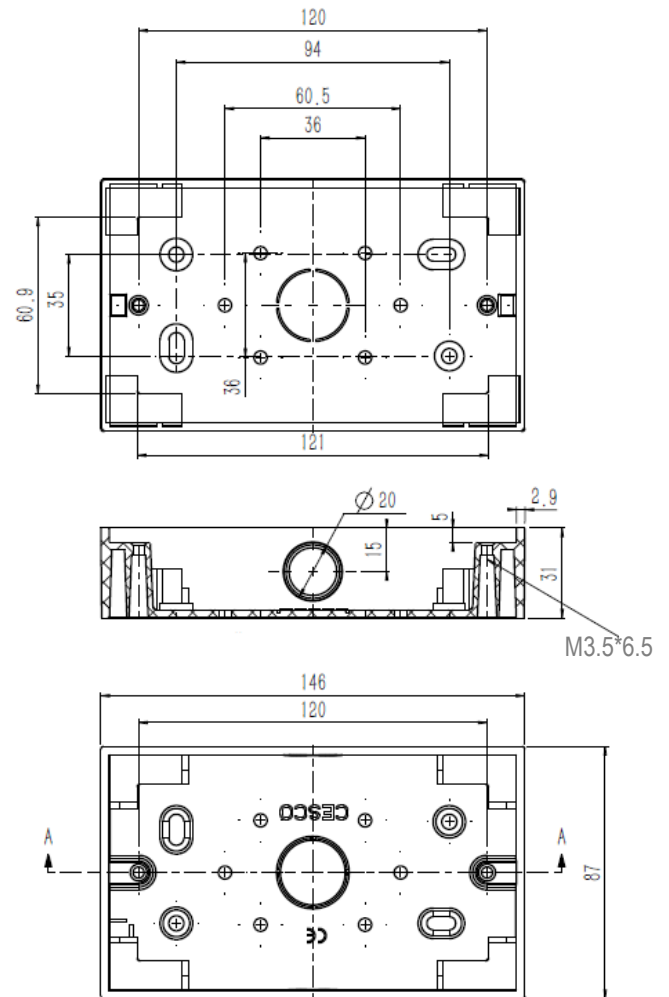
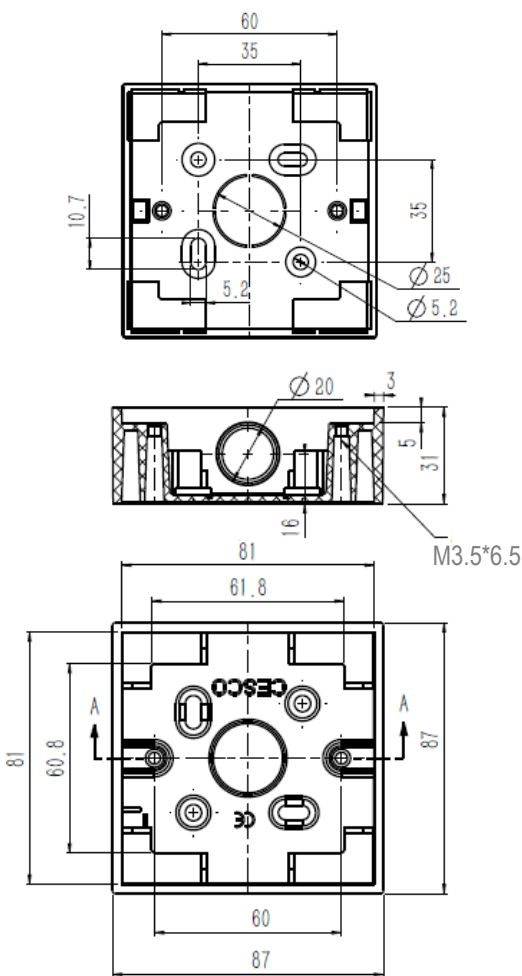
Lincoln PVC Surface Boxes



The Lincoln Accessories range of Surface PVC Boxes are available in a range of sizes and types. These boxes are specially designed to be softer so easier to work with than their brittle counter parts in Bakelite. The boxes come in 35mm corner & round KO's or in 47mm in both single and twins and are a great solution to your wiring needs.

Lincoln Accessories 35mm PVC Surface Boxes

Code	Depth	Size	KO's	Colour
SBP1	35mm	1 Gang	Round & Rectangular Corner	White
SBP2	35mm	2 Gang	Round & Rectangular Corner	White

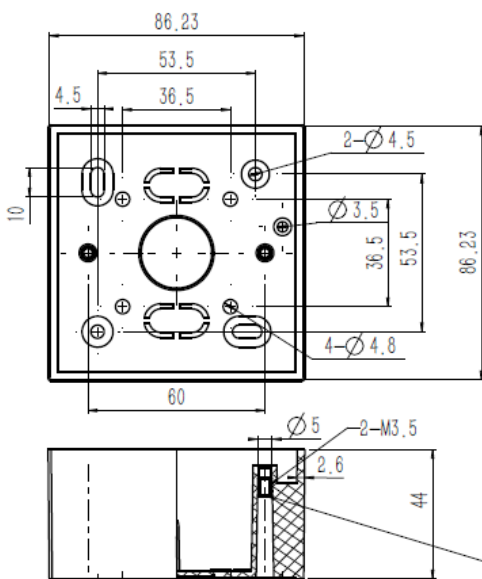


- Corner Universal KO's
- 20mm Round KO's
- Rear Entry if required
- Suits Round Conduit & Mini Trunking
- Suitable for cutting/drilling
- 35mm Deep
- PVC material
- M3.5 Brass Inserts
- CE/RoHS/LVD

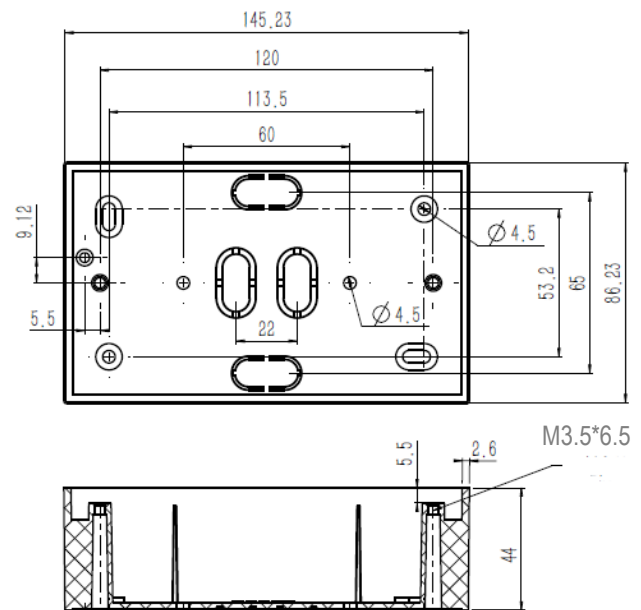


Lincoln Accessories 47mm PVC Surface Boxes

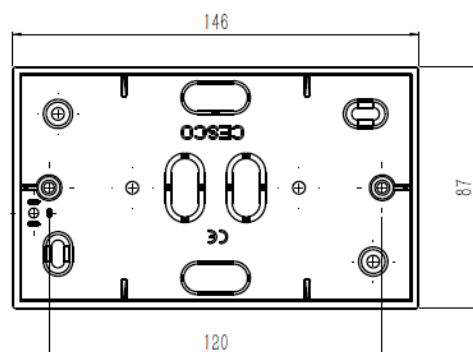
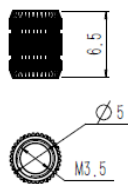
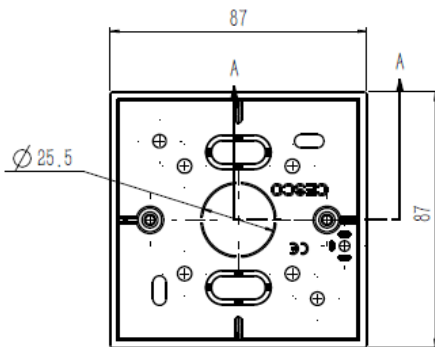
Code	Depth	Size	KO's	Colour
SB147	47mm	1 Gang	Round	White
SB247	47mm	2 Gang	Round	White



M3.5*6.5



M3.5*6.5



- Smooth PVC Walls
- KO's in Base
- Suitable for cutting/drilling
- 47mm Deep
- PVC material
- M3.5 Brass Inserts
- CE/RoHS/LVD

